



## FEATURES

- Numerical earth leakage relay
- Programmable current sensitivity and time delay
- Selectable fundamental or true RMS measurement
- Selectable 50 or 60 Hz frequency
- Detection of no connection to ZCT
- Relay trip indicator
- ZCT fault indicator
- 50% pre-fault indicator
- Leakage fault current recording
- Protected against nuisance tripping
- Non-volatile fault values recording up to 3 records

## SPECIFICATIONS

### AUXILIARY SUPPLY

Supply Voltage : 198 ~ 265VAC  
 Supply Frequency : 50 or 60Hz  
 VA Rating : 3VA max

### ACCURACY

Protection Thresholds : -15% to 0% whichever is greater  
 Time Delay : ±3% or ±40ms whichever is greater

### INPUTS

Remote Reset : N.O. dry contact  
 Remote Test : N.O. dry contact

### OUTPUT CONTACTS

Rated Voltage : 250VAC  
 Continuous Carry : 5A (Cosφ=1.0)  
 Expected Electrical Life : 10<sup>5</sup> operations  
 Expected Mechanical Life : 5 x 10<sup>6</sup> operations  
 No of Output Contact : 1

### SETTING RANGES

**Earth-Leakage Setting**  
 IΔn Sensitivity : 20mA-30.0A,  
 \*(Variable steps 1)  
 Time Δt : INST-10.0s,  
 (Step 0.01s)  
 Pre-fault : 10mA-24.0A,  
 \*(Variable steps 1)  
 Reset Hysteresis : 2% -10%, (Step1%)

### EARTH LEAKAGE PROTECTION CLASS

Type A

### INDICATORS

Auxiliary Supply : Green indicator  
 Pick-up : Red indicator  
 Trip : 7-segment display and Red Indicator  
 ZCT Fault : Red indicator

### ENVIRONMENTAL CONDITIONS

Operating Temperature : -10°C to 55°C  
 Humidity : 5% to 95%, non-condensing

### MECHANICAL

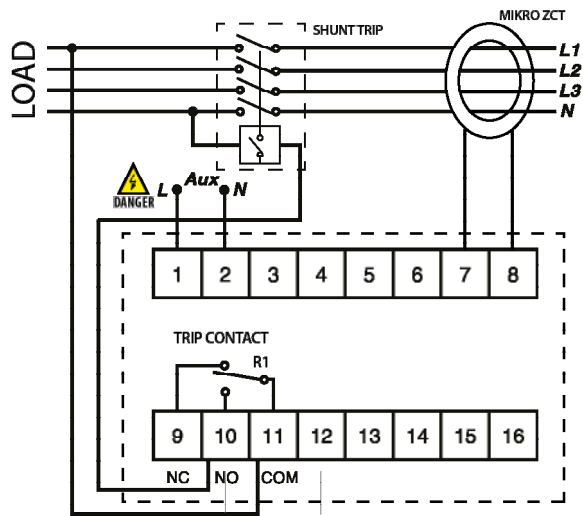
Mounting : Panel mounting  
 Dimension (mm) : 96(w) x 96(h) x 90(d)  
 Enclosure protection : IP54 at the panel  
 IP20 at the body  
 Approximate weight : 0.5kg

### ZERO-PHASE CURRENT TRANSFORMER

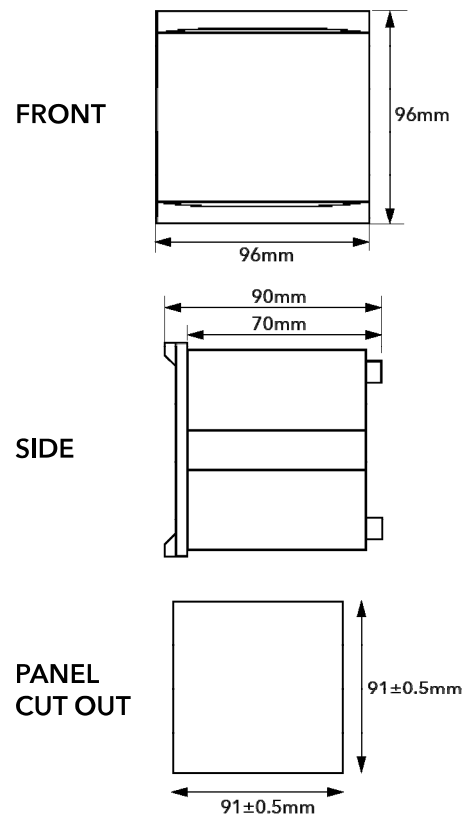
To operate with Mikro's ZCT series of current transformer.

\* Variable Steps 1: step 1mA (<999mA), step 0.01A (<9.99A), step 0.1A (<30A)

## TYPICAL APPLICATION DIAGRAM FOR R301



## CASE DIMENSION



## ORDERING INFORMATION

MODEL	DESCRIPTION
R301-230A	Auxiliary voltage 198 ~ 265VAC, frequency 50 or 60Hz