



96 x 96mm

Features :

- 3Ø True RMS (Voltage, Current)
- 3Ø Power (Active, Reactive & Apparent)
- Energy (Active, Reactive & Apparent)
- Programmable CT / PT Primary / Secondary
- Modbus RTU Communication (RS485) (Optional)
- Single Pulse Output

Certifications : CE 

Display Specifications

Display	3 rows, LCD with Backlight Lowest 7½ digit for energy display
Digits	4

Input Specifications

Electrical Connection	3Ø - 3 wire, 3Ø - 4 wire, 2Ø - 3 wire, 1Ø - 2 wire
Input Voltage Range	11 to 300V AC (L - N) 19 to 519V AC (L - L)
Input Current Range	Nominal 5A AC (Min - 11mA, Max - 6A)
Frequency	45 to 65Hz
Display Scrolling	Automatic / Manual
Power Consumption	8VA max
Display Reset	Programmable (For energy)
Resolution	For energy : 0.1k, 1k (depending upon CT ratio x PT ratio) For Power, Voltage, Current : Auto Resolution For Power Factor : 0.001
Accuracy	Voltage (L - N / L - L) : ±0.5% of F.S. Current : ±0.5% of F.S. Power Factor : ±0.01 Frequency : ±0.1% For L - N Voltage >20V For L - L Voltage >35V Power (Active, Reactive, Apparent) : 1% Energy (Active, Reactive, Apparent) : Class 1
Memory Retention	10 years (For energy)
Measuring Parameters	Voltage (L - L / L - N) (Individual / Average), Current (Individual / Average), Frequency, Power Factor (Individual / Total), Active, Reactive & Apparent Power (Individual / Total), Active, Reactive & Apparent Energy (Total)

Output Specifications

Pulse Output	Voltage Range : External 24V DC max Current Capacity : 100mA max Pulse Width : 100ms ±5ms
Communication Interface and Protocol	RS485 and MODBUS RTU
Communication Address	1 to 255
Transmission Mode	Half duplex
Transmission Distance	500 meter maximum
Transmission Speed	300, 600, 1200, 2400, 4800, 9600, 19200 (in bps)
Parity	None, Odd, Even
Stop Bits	1 or 2
Response Time	100ms (max and independent of baud rate)

Auxiliary Supply Specifications

Supply Voltage	100 to 240V AC, -15% to +12%, 50 / 60 Hz, (±5%)
----------------	---

Settable Parameters

CT Primary	1 / 5A upto 10kA (Programmable for any Value)
CT Secondary	1 / 5A (Programmable)
PT Primary	100V to 10kV (Programmable for any Value)
PT Secondary	100V to 500V AC (L - L) (Programmable for any Value)

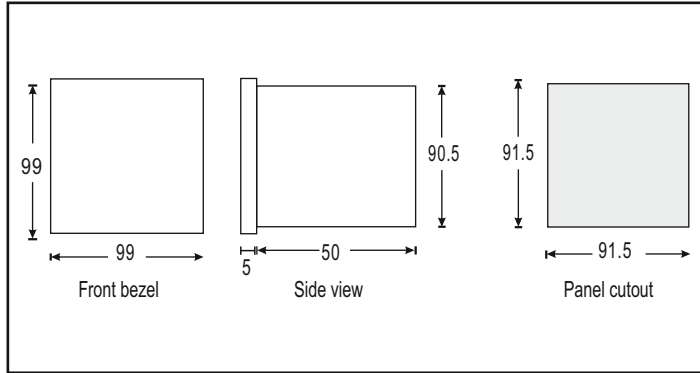
Environmental Specifications

Temperature	Operating Temperature : -10° to 55°C Storage Temperature : -20° to 75°C
Humidity (non - condensing)	Upto 85% RH

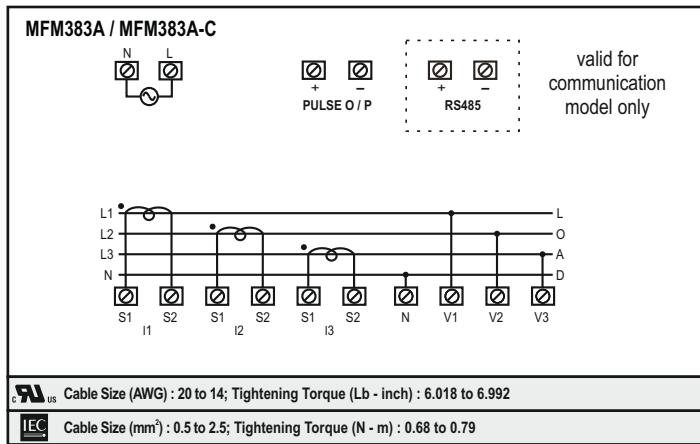
Mechanical Specifications

Mounting	Panel
Weight	310gms

Dimensions



Terminal Connection



Compliance

Applicable EMI / EMC Standards		
Product Standard : IEC 61326 - 1		
Category		Standards Compliance
ESD Immunity	IEC 61000 - 4 - 2	Level IV (Air Discharge : 15kV), (Contact Discharge : -8kV)
Surge Immunity	IEC 61000 - 4 - 5	+ / - 2kV Common Mode, (Line to Ground) + / - 1kV Differential Mode, (Line to Line)
Radiated Susceptibility	IEC 61000 - 4 - 3	Level III, 80 to 1000MHz (10V / m) Level II, 1.4GHz to 2GHz (3V / m) Level I, 2GHz to 2.7GHz (1V / m)
Conducted Susceptibility	IEC 61000 - 4 - 6	Level II (3V / m)
Voltage Dips and Interruptions	IEC 61000 - 4 - 11	Dips : 0% residual voltage / 1 cycle (Criteria B), 40% residual voltage / 10 cycles 50Hz / 12 cycles 60Hz (Criteria C) 70% residual voltage / 25 cycles 50Hz / 30 cycles 60Hz (Criteria C) Interruptions : 0% residual voltage / 250 cycles 50Hz / 300 cycles 60Hz (Criteria C)
Conducted Emission	CISPR - 11	
Radiated Emission	CISPR - 11	
Electrical Fast Transient	IEC 61000 - 4 - 4	Level III (2kV)

Ordering Information

Product Code	Supply Voltage	Output		Certification	
	100 to 240V AC (-15% to +12%)	Pulse Output	Comm. (RS485)		
MFM383A	Yes	Yes	--	--	--
MFM383A-C-CE	Yes	Yes	Yes	CE	--
MFM383A-CU	Yes	Yes	--	CE	UL LISTED

SELEC

MFM383A SERIES

Operating Instructions



96 x 96

SPECIFICATIONS

DISPLAY

Liquid crystal display with backlight
3 lines, 4 digits per line to show electrical Parameters
Dedicated 7½ digit show energy

WIRING INPUT

3Ø - 4 wire, 3Ø - 3 wire, 2Ø - 3 wire and
1Ø - 2 wire system

RATED INPUT VOLTAGE

11 to 300V AC (L-N); 19 to 519V AC (L-L);
Installation Category III (600V)

UL Approval :

11 to 277V AC (L-N); 19 to 480V AC (L-L);
Installation Category III (300V L-N)

FREQUENCY RANGE

45-65Hz

RATED INPUT CURRENT

Nominal 5A AC (Min-11mA, Max-6A)

BURDEN

0.5 VA @ 5A per phase

CT PRIMARY

1A / 5A to 10,000A (Programmable for any Value)
Note : 1A to 10,000A if CT secondary is 1 else
CT primary is 5A to 10,000A

CT SECONDARY

1A or 5A (programmable)

PT PRIMARY

100V to 10,000V (Programmable for any value)

PT SECONDARY

100 to 500V AC (L-L) (Programmable for any value)

DISPLAY UPDATE TIME

1sec. for all parameters

DISPLAY SCROLLING

Automatic or Manual (Programmable)

POWER CONSUMPTION

MFM383A / MFM383A-C : Less than 8VA

ENVIRONMENTAL CONDITIONS

- Indoor use
- Altitude of up to 2000 meters
- Pollution degree II

Temperature : Operating : -10 to 55°C

Storage : -20 to 75°C

Humidity : Up to 85% RH, non-condensing

PROTECTION CLASS : II

MOUNTING

Panel mounting

WEIGHT

MFM383A : 310gms ; MFM383A-C : 344gms

OUTPUT

Pulse Output : Voltage range : External 24V DC max.
Current capacity : 100mA max.

Pulse Width : 100ms ± 5ms.

ORDER CODE INFORMATION

Product	Supply	Certification	
		CE	cULUS LISTED
MFM383A / MFM383A-C	100 to 240V AC, -15% +12%, 50/60Hz, (±5%)	—	—
MFM383A-C-CE	100 to 240V AC, -15% +12%, 50/60Hz, (±5%)	■	—

Installation Category III

SERIAL COMMUNICATION [Applicable for MFM383A-C]

Interface standard and protocol	RS485 and MODBUS RTU
Communication address	1 to 255
Transmission mode	Half duplex
Data types	Float and Integer
Transmission distance	500m maximum
Transmission Speed	300, 600, 1200, 2400, 4800, 9600, 19200 (in bps)
Parity	None, Odd, Even
Stop bits	1 or 2

ACCURACY :

Measurement	Accuracy
Voltage V_{L-N}	±0.5% of Full scale
Voltage V_{L-L}	±0.5% of Full scale
Current	±0.5% of Full scale
Frequency	±0.1% For L-N Voltage >20V, For L-L Voltage >35V
Active Power	1%
Apparent power	1%
Reactive Power	1%
Power Factor	±0.01
Active Energy	Class 1
Reactive Energy	Class 1
Apparent Energy	Class 1

RESOLUTION :

PT Ratio x CT Ratio	kWh	Pulse
<150	0.1K	0.1K
≥150	1K	1K

NOTE : 1) For Voltage, Current and Power, resolution is automatically adjusted
2) For power factor, resolution is 0.001

SAFETY PRECAUTIONS

All safety related codifications, symbols and instructions that appear in this operating manual or on the equipment must be strictly followed to ensure the safety of the operating personnel as well as the instrument.

If the equipment is not used in a manner specified by the manufacturer it might impair the protection provided by the equipment.

- Do not use the equipment if there is any mechanical damage.
- Ensure that the equipment is supplied with correct voltage.

CAUTION :

- Read complete instructions prior to installation and operation of the unit.
- Risk of electric shock.
- The equipment in its installed state must not come in close proximity to any heating sources, oils, steam, caustic vapors or other unwanted process by products.

WIRING GUIDELINES

WARNING :

- To prevent the risk of electric shock, power supply to the equipment must be kept OFF while doing the wiring arrangement.
- Wiring shall be done strictly according to the terminal layout. Confirm that all connections are correct.
- Use lugged terminals.
- To reduce electromagnetic interference use of wires with adequate ratings and twists of the same in equal size shall be made with shortest connections.
- Layout of connecting cables shall be away from any internal EMI source.
- Cable used for connection to power source, must have a cross section of 0.5mm² to 2.5mm² (20 to 14AWG ; 75°C (minimum)). These wires shall have current carrying capacity of 6A.
- Copper cable should be used (Stranded or Single core cable).
- Before attempting work on device, ensure absence of voltages using appropriate voltage detection device.

INSTALLATION GUIDELINES

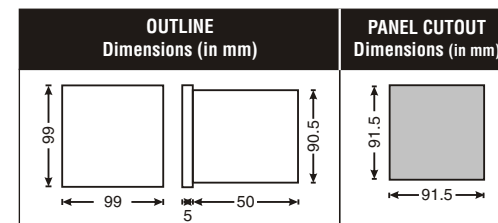
CAUTION :

- This equipment, being built-in-type, normally becomes a part of main control panel and in such case the terminals do not remain accessible to the end user after installation and internal wiring.
- Conductors must not come in contact with the internal circuitry of the equipment or else it may lead to a safety hazard that may in turn endanger life or cause electrical shock to the operator.
- Circuit breaker or mains switch must be installed between power source and supply terminals to facilitate power 'ON' or 'OFF' function. However this switch or breaker must be installed in a convenient position normally accessible to the operator.
- Before disconnecting the secondary of the external current transformer from the equipment, make sure that the current transformer is short circuited to avoid risk of electrical shock and injury.
- The equipment shall not be installed in environmental conditions other than those mentioned in this manual.
- The equipment does not have a built-in-type fuse. Installation of external fuse of rating 275V AC / 0.5Amp for electrical circuitry / battery is highly recommended.

MECHANICAL INSTALLATION

For installing the meter

- Prepare the panel cutout with proper dimensions as shown below.
- Push the meter into the panel cutout. Secure the meter in its place by fitting the clamp on the rear side. Fit clamps on both sides in diagonally opposite location for optimum fitting.
- For proper sealing, tighten the screws evenly with required torque.
Terminal screw tightening torque :
0.68 N-m to 0.79 N-m (6.018 In-Lb to 6.992 In-Lb)
Screw clamp tightening torque : 0.1N-m (0.885 Lb-inch)

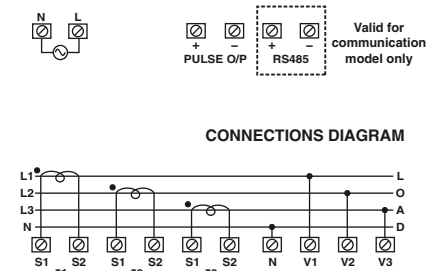


MAINTENANCE

- The equipment should be cleaned regularly to avoid blockage of ventilating parts.
- Clean the equipment with a clean dry or damp cloth. Do not use any cleaning agent other than water.

TERMINAL CONNECTIONS

MFM383A / MFM383A-C



FRONT PANEL DESCRIPTION



ONLINE PAGE DESCRIPTION

There are 3 dedicated keys labelled as VI, VAF, P. Use these 3 keys to read meter parameters. Simply press these keys to read the parameters.

KEY PRESS	ONLINE PAGE DESCRIPTION
Press "VI"	<p>The 1st screen : (Page 1) Displays line to neutral voltage of 3 phases.</p> <p>The 2nd screen : (Page 2) Displays line to line voltage of 3 phases.</p> <p>The 3rd screen : (Page 3) Displays phase current of 3 phases.</p> <p>Note : For 3 Ø 3 W system, only the 2nd and 3rd screen available</p>
Press "VAF"	<p>The 1st screen : (Page 4) Displays voltage, current of 1st phase and frequency.</p> <p>The 2nd screen : (Page 5) Displays voltage, current of 2nd phase and frequency.</p> <p>The 3rd screen : (Page 6) Displays voltage, current of 3rd phase and frequency.</p> <p>The 4th screen : (Page 7) Displays average value of line to neutral voltage, current of three phases and frequency.</p> <p>The 5th screen : (Page 8) Displays average value line to line voltage, current and Power factor of three phases.</p> <p>Note : For 3 Ø 3 W system, only the 1st, 2nd, 3rd and 5th screen available.</p> <p>For 3 Ø - 4 W : Display Line to Neutral Voltage For 3 Ø - 3 W : Display Line to Line Voltage</p>
Press "P"	<p>The 1st screen : (Page 9) Displays power factor of 3 phase.</p> <p>The 2nd screen : (Page 10) Displays active power of 3 phase.</p> <p>The 3rd screen : (Page 11) Displays reactive power of 3 phase.</p> <p>The 4th screen : (Page 12) Displays apparent power of 3 phase.</p> <p>The 5th screen : (Page 13) Displays active power, reactive power and power factor of 1st phase.</p> <p>The 6th screen : (Page 14) Displays active power, apparent power and power factor of 1st phase.</p> <p>The 7th screen : (Page 15) Displays active power, reactive power and power factor of 2nd phase.</p> <p>The 8th screen : (Page 16) Displays active power, apparent power and power factor of 2nd phase.</p> <p>The 9th screen : (Page 17) Displays active power, reactive power and power factor of 3rd phase.</p> <p>The 10th screen : (Page 18) Displays active power, apparent power and power factor of 3rd phase.</p>

KEY PRESS	ONLINE PAGE DESCRIPTION
Press "P"	<p>The 11th screen : (Page 19) Displays total active power, reactive power and power factor of 3 phases.</p> <p>The 12th screen : (Page 20) Displays total active power, apparent power and power factor of 3 phases.</p> <p>Note : For 3 Ø - 3 W system only the 11th and 12th screen available.</p>
Press "E"	<p>The 1st screen : Displays active energy of three phase.</p> <p>The 2nd screen : Displays reactive energy of three phase.</p> <p>The 3rd screen : Displays apparent energy of three phase.</p> <p>Note : 1) Only 1st screen will be displays of active energy when active select in configuration. 2) Energy parameter and Energy reading toggle automatically at the rate of 2 sec when select all in energy selection in configuration.</p>

AUTOMATIC / MANUAL MODE DESCRIPTION

Press (▼) key 3 sec. to toggle between Automatic and Manual mode.

Note : By default unit operates in automatic mode. In automatic mode online pages scroll automatically at the rate of 5 sec. per page. In automatic mode when any key is pressed, unit temporarily switches to manual mode and the appropriate page is displayed, also if any key is not pressed for 5sec., unit resumes automatic mode.

SERIAL NUMBER DESCRIPTION

Press 4th key (◀) for 10sec. to display 8 digit serial number on first and second row.

CONFIGURATION

There are 4 dedicated keys with symbols marked as ▼, ▲, ←, →. Use these 4 keys to enter into configuration menu / change setting.

Note : The settings should be done by a professional, after going through this users manual and after having understood the application situation.

For the configuration setting mode :

- Use (←) and (→) keys for 3sec. to enter or exit from configuration menu.
- Use (▼) and (▲) keys for increasing and decreasing parameters value respectively.
- Use (←) key to go back to previous page.
- Use (→) key to save the setting and move on next page.

Config page.	Function	Range or Selection	Factory Setting
	Password	0000 to 9998	10
1	Change Password	No / Yes	No
1.1	New Password	0000 to 9998	10
2	Network Selection	3P3W and 3P4W	3P4W
3	CT Secondary	1A or 5A	5
4	CT Primary	1A, 5A to 10,000A(10.0kA)	5
5	PT Secondary	100V to 500V	350
6	PT primary	100V to 10000V	350

Config page.	Function	Range or Selection	Factory Setting
7	Energy selection	Active / All	Active
* 8	Slave Id	1 to 255	1
* 9	Baud Rate	300, 600, 1200, 2400, 4800, 9600 and 19200	9600
* 10	Parity	None, Even, Odd	None
* 11	Stop Bit	1 or 2	1
12	Back Light	0 to 7200 sec.	0000
13	Max Page	1 to 20	20
14	Change Sequence	No / Yes	No
14.01	Page Sequence 1	1 to 20	1
14.02	Page Sequence 2	1 to 20	2
14.03	Page Sequence 3	1 to 20	3
14.04	Page Sequence 4	1 to 20	4
14.05	Page Sequence 5	1 to 20	5
14.06	Page Sequence 6	1 to 20	6
14.07	Page Sequence 7	1 to 20	7
14.08	Page Sequence 8	1 to 20	8
14.09	Page Sequence 9	1 to 20	9
14.10	Page Sequence 10	1 to 20	10
14.11	Page Sequence 11	1 to 20	11
14.12	Page Sequence 12	1 to 20	12
14.13	Page Sequence 13	1 to 20	13
14.14	Page Sequence 14	1 to 20	14
14.15	Page Sequence 15	1 to 20	15
14.16	Page Sequence 16	1 to 20	16
14.17	Page Sequence 17	1 to 20	17
14.18	Page Sequence 18	1 to 20	18
14.19	Page Sequence 19	1 to 20	19
14.20	Page Sequence 20	1 to 20	20
15	Factory Default	No / Yes	No
16	Reset Energy	No / Yes	No
* 16.1	Password	0001 to 9999	11
16.2	Reset Active Energy	No / Yes	No
16.3	Reset Reactive Energy	No / Yes	No
16.4	Reset Apparent Energy	No / Yes	No

* Marked parameters are available only in MFM383A-C.

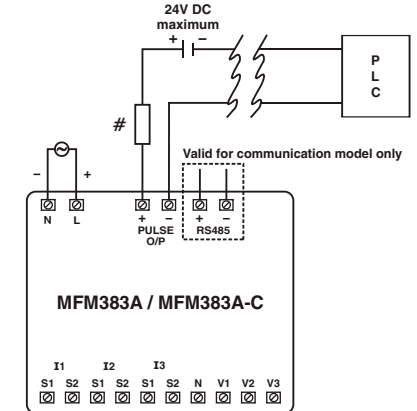
- For resetting energy parameters user will be prompted for password. If correct password is entered, the user will be able to reset all energy parameters. This password will be value which will be greater than the configuration password by 1.

NETWORK SELECTION AND WIRING INPUT

Network selection in configuration mode	Wiring
3P4W	3P4W, 2P3W, 1P2W
3P3W	3P3W

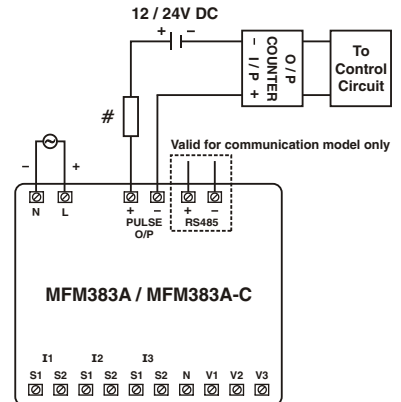
APPLICATION OF PULSE OUTPUT

● PROCESS INTEGRATION



Pulse output from MFM383A meter can be interfaced into a process through a PLC for on line control of energy content in the process. If the PLC has a self excited digital input, external DC supply is not needed. The kWh pulse is also used to derive average kWh information at the PLC.

● ENERGY CONTROLLER



Pulse output from MFM383A meter can be used as alarm generator or total energy controller by interfacing it with Pre-settable counter and control circuits (Contactors, Relay, Trip Circuit).

The counter is loaded with the maximum energy consumption. When count reaches setpoint it provides output to control circuit to take appropriate action.

Note : + and - on aux. supply is applicable only for 24V product

All fuse types : 0.5A class CC UL type
0.5A fast acting 600V

MODBUS REGISTER ADDRESSES LIST
Readable parameters from MFM383A-C : [Length (Register) : 2 ; Data Structure : Float]

Address	Hex Address	Parameter	Address	Hex Address	Parameter
30000	0x00	Voltage V1N	30034	0x22	kVA3
30002	0x02	Voltage V2N	30036	0x24	kVAr1
30004	0x04	Voltage V3N	30038	0x26	kVAr2
30006	0x06	Average Voltage LN	30040	0x28	kVAr3
30008	0x08	Voltage V12	30042	0x2A	Total kW
30010	0x0A	Voltage V23	30044	0x2C	Total kVA
30012	0x0C	Voltage V31	30046	0x2E	Total kVAr
30014	0x0E	Average Voltage LL	30048	0x30	PF1
30016	0x10	Current I1	30050	0x32	PF2
30018	0x12	Current I2	30052	0x34	PF3
30020	0x14	Current I3	30054	0x36	Average PF
30022	0x16	Average Current	30056	0x38	Frequency
30024	0x18	kW1	30058	0x3A	kWh
30026	0x1A	kW2	30060	0x3C	kVAh
30028	0x1C	kW3	30062	0x3E	kVArh
30030	0x1E	kVA1	30064	0x40	Serial Number (Data Structure : Hex)
30032	0x20	kVA2			

Readable / writable parameters :

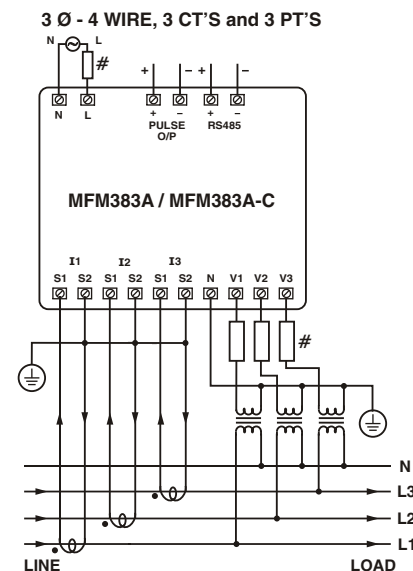
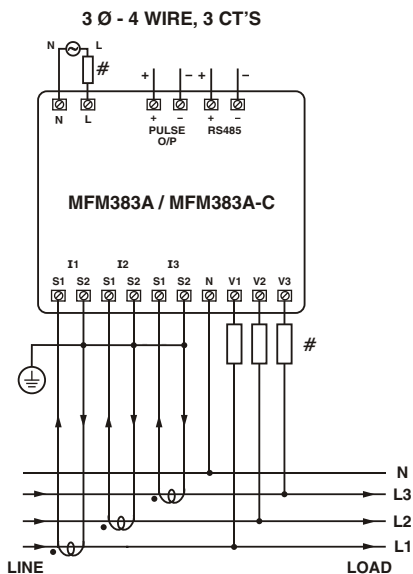
Address	Hex Address	Parameter	Range		Length (Register)	Data Structure
			Min value	Max value		
40000	0x00	Password	0	9998	1	Integer
			Value	Meaning		
40001	0x01	N/W selection	0	3P-4W	1	Integer
			1	3P-3W	1	Integer
			Min Value	Max Value		
40002	0x02	CT Secondary	1	5	1	Integer
40003	0x03	CT primary (CT Secondary = 5)	5	10000	1	Integer
		CT primary (CT Secondary = 1)	1	10000		
40004	0x04	PT Secondary	100	500	1	Integer
40005	0x05	PT primary	100	10000	2	Integer
40007	0x07	Slave Id	1	255	1	Integer
			Value	Meaning (bps)		
40008	0x08	Baud rate	0x0000	300	1	Integer
			0x0001	600		
			0x0002	1200		
			0x0003	2400		
			0x0004	4800		
			0x0005	9600		
			0x0006	19200		

MODBUS register addresses list *continued*
Readable / writable parameters from MFM383A-C :

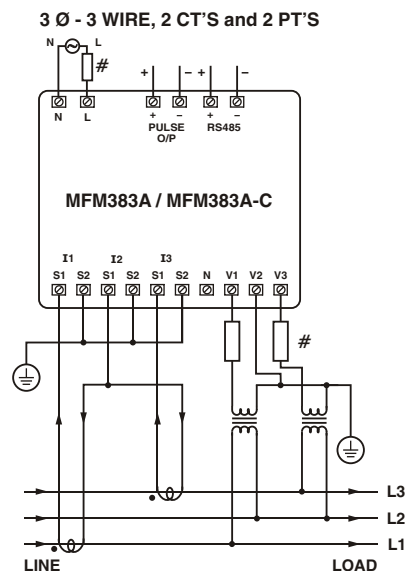
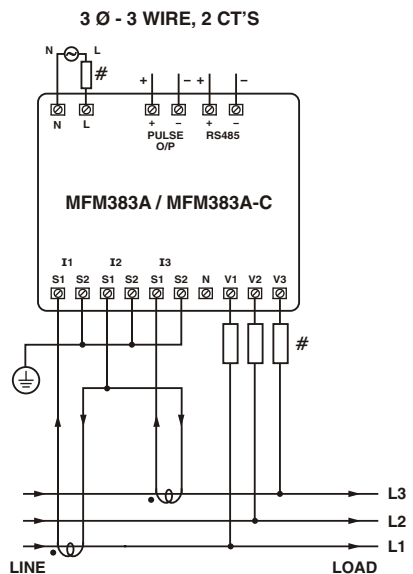
Address	Hex Address	Parameter	Range		Length (Register)	Data Structure
			Value	Meaning		
40009	0x09	Parity	0x0000	None	1	Integer
			0x0001	Odd		
			0x0002	Even		
40010	0x0A	Stop bit	0x0000	1	1	Integer
			0x0001	2		
40011	0x0B	Factory Default	1	Set to factory setting range	1	Integer
40012	0x0C	Reset kWh	1	Reset Total Active Energy	1	Integer
40013	0x0D	Reset kVAh	1	Reset Total Apparent Energy	1	Integer
40014	0x0E	Reset kVArh	1	Reset Total Reactive Energy	1	Integer
			Min Value	Max Value		
40015	0x0F	Auto Mode Pages	1	20	1	Integer
			Page No	Meaning		
40016	0x10	Page Address Sequence	1- 20	1- First Page ; 20-Last Page	1	Integer
40017	0x11	Page Address Sequence	1- 20	1- First Page ; 20-Last Page	1	Integer
40018	0x12	Page Address Sequence	1- 20	1- First Page ; 20-Last Page	1	Integer
40019	0x13	Page Address Sequence	1- 20	1- First Page ; 20-Last Page	1	Integer
40020	0x14	Page Address Sequence	1- 20	1- First Page ; 20-Last Page	1	Integer
40021	0x15	Page Address Sequence	1- 20	1- First Page ; 20-Last Page	1	Integer
40022	0x16	Page Address Sequence	1- 20	1- First Page ; 20-Last Page	1	Integer
40023	0x17	Page Address Sequence	1- 20	1- First Page ; 20-Last Page	1	Integer
40024	0x18	Page Address Sequence	1- 20	1- First Page ; 20-Last Page	1	Integer
40025	0x19	Page Address Sequence	1- 20	1- First Page ; 20-Last Page	1	Integer
40026	0x1A	Page Address Sequence	1- 20	1- First Page ; 20-Last Page	1	Integer
40027	0x1B	Page Address Sequence	1- 20	1- First Page ; 20-Last Page	1	Integer
40028	0x1C	Page Address Sequence	1- 20	1- First Page ; 20-Last Page	1	Integer
40029	0x1D	Page Address Sequence	1- 20	1- First Page ; 20-Last Page	1	Integer
40030	0x1E	Page Address Sequence	1- 20	1- First Page ; 20-Last Page	1	Integer
40031	0x1F	Page Address Sequence	1- 20	1- First Page ; 20-Last Page	1	Integer
40032	0x20	Page Address Sequence	1- 20	1- First Page ; 20-Last Page	1	Integer
40033	0x21	Page Address Sequence	1- 20	1- First Page ; 20-Last Page	1	Integer
40034	0x22	Page Address Sequence	1- 20	1- First Page ; 20-Last Page	1	Integer
40035	0x23	Page Address Sequence	1- 20	1- First Page ; 20-Last Page	1	Integer
			Min Value	Max Value (Sec.)		
40036	0x24	Backlight	0 (Always on)	7200	1	Integer
40037	0x25	Energy Selection	0	Active	1	Integer
			1	All	1	Integer

TYPICAL WIRING DIAGRAM

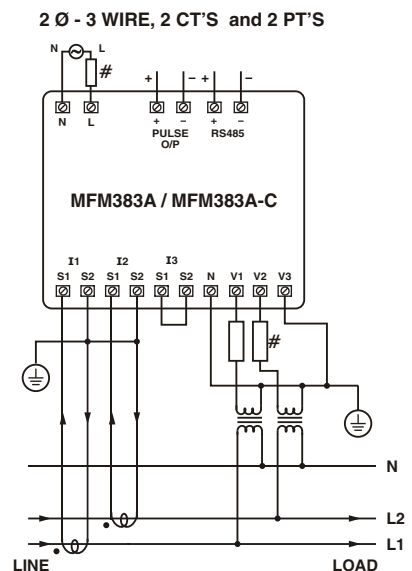
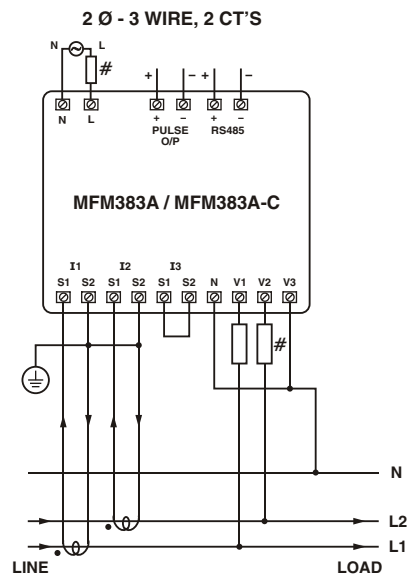
3 PHASE 4-WIRE (COMMONLY USED)



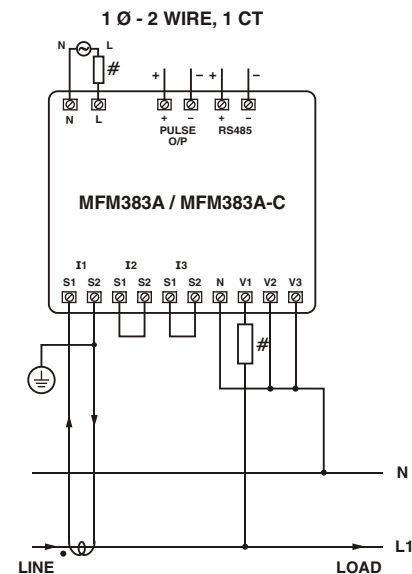
3 PHASE 3-WIRE



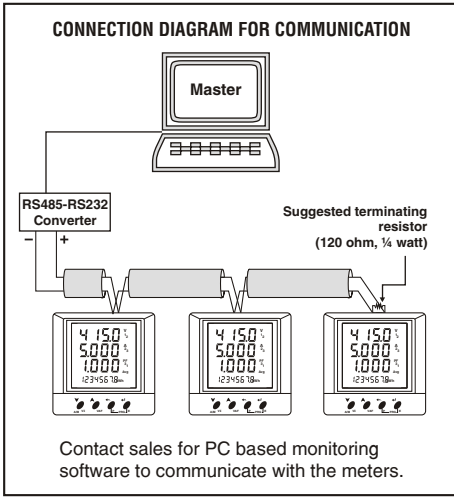
2 PHASE - 3 WIRE



1 PHASE - 2 WIRE



All fuse types : 0.5A class CC UL type
0.5A fast acting 600V



(Specifications are subject to change, since development is a continuous process.)

Selec Controls Pvt. Ltd., India
 Factory Address :
 EL-27/1, Electronic Zone, TTC Industrial Area, MIDC, Mahape,
 Navi Mumbai - 400 710, INDIA.
 Tel. No. : +91-22-41 418 419/430 | Fax No. : +91-22-28471733
 Toll free : 1800 227 353 (BSNL/MTNL Subscribers only)
 Website : www.selec.com | Email : sales@selec.com