

# CYLINDRICAL-TYPE POWER CAPACITOR - 700 SERIES



Three-phase Cylindrical - Type Power Capacitor is used to correct power factor for motors, low voltage transformers and inside industrial switchboard. It is sometimes used with blocking reactors with harmonics presence.

## FEATURES:

- Dry type, cylindrical aluminium case
- 3 phase connection
- Available for rated voltage 440V and 525V
- Maximum permissible current 1.43x rated current
- Maximum inrush current 200 x rated current
- Compliance to standard IEC 60831-1 & 2
- Equipped with pressure activated series interruptor
- Statistical Life Expectancy >150,000 operating hours

## TECHNICAL SPECIFICATION

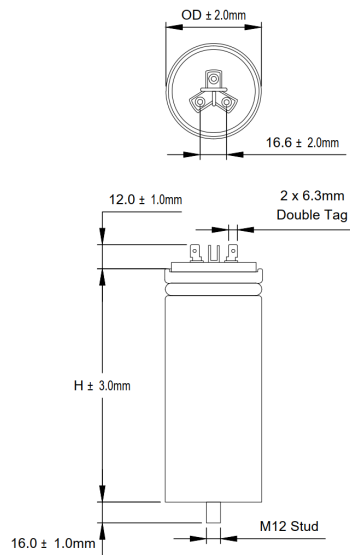
Construction	
Type	Dry, Self-Healing
Casing	Cylindrical Extruded Aluminum Can
Dielectric	Bi-Axially Oriented Polypropylene, with Zinc-Aluminium Alloy
Encapsulation/Impregnation	Polyurethane Resin Oven Cured Flame Retardant
Electrical Performance	
Rated Voltage (Un)	400V
Frequency (fn)	50 / 60 Hz
Connection	Internal Delta
Temperature Category	D / -25°C to +55°C
Relative Humidity	≤ 95%
Capacitance Tolerance	-5% / 10%
Dielectric Loss	< 0.2W / KVAR
Total Losses (Including Discharge resistor)	< 0.5W / KVAR
Testing Voltage Between Terminals	2.15 Un For 2s
Testing Voltage Between Terminals and Container	6KV For 2s
Maximum Permissible Voltage For 8 hrs in every 24 hrs	1.10 Un
Maximum Permissible Current	1.43 In
Lightning Impulse Test Between Terminal~Container	15KV (Peak)
Maximum Inrush Current	200 In
Capacitor Discharge time	3 min to 75V
Statistical Life Expectancy	> 150,000 Operating Hours
Standards	IEC 60831-1 / 2
Installation	
Terminal Arrangements	Terminal Block
Screw Torque	M5 : ≤ 2 Nm M12 : ≤ 15 Nm
Minimum Installation Clearance	50mm Between Top of Capacitor to Enclosure 50mm Between units
Safety Features	
Safety Device	Pressure Activated Series Interruptor
IP Rating	IP20

# CYLINDRICAL-TYPE POWER CAPACITOR - 700 SERIES

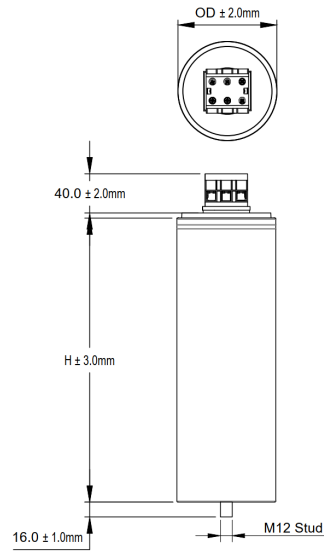


## 700 Series - Rated Voltage 440V

Product Code	f <sub>N</sub> U <sub>N</sub> Parameter Capacitance (uF)	50Hz										60Hz										Dimension & Weight		
		440V		415V		400V		380V		240V		440V		415V		400V		380V		240V		OD	H	WT
		Q <sub>N</sub>	I <sub>N</sub>	Q <sub>N</sub>	I <sub>N</sub>	Q <sub>N</sub>	I <sub>N</sub>	Q <sub>N</sub>	I <sub>N</sub>	Q <sub>N</sub>	I <sub>N</sub>	Q <sub>N</sub>	I <sub>N</sub>	Q <sub>N</sub>	I <sub>N</sub>	Q <sub>N</sub>	I <sub>N</sub>	Q <sub>N</sub>	I <sub>N</sub>	Q <sub>N</sub>	I <sub>N</sub>	MM	MM	KG
700QELCO0010	3 x 5.5	1.0	1.3	0.9	1.2	0.8	1.2	0.7	1.1	0.3	0.7	1.2	1.6	1.1	1.5	1.0	1.4	0.9	1.4	0.4	0.9	60.0	158.0	0.5
700QELCO0015	3 x 8.2	1.5	2.0	1.3	1.9	1.2	1.8	1.1	1.7	0.4	1.1	1.8	2.4	1.6	2.2	1.5	2.1	1.3	2.0	0.5	1.3	60.0	158.0	0.5
700QELCO0020	3 x 11.0	2.0	2.6	1.8	2.5	1.7	2.4	1.5	2.3	0.6	1.4	2.4	3.1	2.1	3.0	2.0	2.9	1.8	2.7	0.7	1.7	60.0	158.0	0.5
700QELCO0025	3 x 13.7	2.5	3.3	2.2	3.1	2.1	3.0	1.9	2.8	0.7	1.8	3.0	3.9	2.7	3.7	2.5	3.6	2.2	3.4	0.9	2.1	60.0	158.0	0.5
700QELCO0030	3 x 16.4	3.0	3.9	2.7	3.7	2.5	3.6	2.2	3.4	0.9	2.1	3.6	4.7	3.2	4.5	3.0	4.3	2.7	4.1	1.1	2.6	60.0	158.0	0.5
700QELCO0033	3 x 18.1	3.3	4.3	2.9	4.1	2.7	3.9	2.5	3.7	1.0	2.4	4.0	5.2	3.5	4.9	3.3	4.7	3.0	4.5	1.2	2.8	60.0	158.0	0.5
700QELCO0050	3 x 27.4	5.0	6.6	4.4	6.2	4.1	6.0	3.7	5.7	1.5	3.6	6.0	7.9	5.3	7.4	5.0	7.2	4.5	6.8	1.8	4.3	60.0	158.0	0.8
700QELCO0100	3 x 54.8	10.0	13.1	8.9	12.4	8.3	11.9	7.5	11.3	3.0	7.2	12.0	15.7	10.7	14.9	9.9	14.3	9.0	13.6	3.6	8.6	75.0	225.0	1.4
700QELCO0125	3 x 68.5	12.5	16.4	11.1	15.5	10.3	14.9	9.3	14.2	3.7	8.9	15.0	19.7	13.3	18.6	12.4	17.9	11.2	17.0	4.5	10.7	75.0	225.0	1.4
700QELCO0150	3 x 82.2	15.0	19.7	13.3	18.6	12.4	17.9	11.2	17.0	4.5	10.7	18.0	23.6	16.0	22.3	14.9	21.5	13.4	20.4	5.4	12.9	75.0	225.0	1.4
700QELCO0200	3 x 109.6	20.0	26.2	17.8	24.8	16.5	23.9	14.9	22.7	6.0	14.3	24.0	31.5	21.4	29.7	19.8	28.6	17.9	27.2	7.1	17.2	75.0	287.0	1.8
700QELCO0250	3 x 137.0	25.0	32.8	22.2	30.9	20.7	29.8	18.6	28.3	7.4	17.9	30.0	39.4	26.7	37.1	24.8	35.8	22.4	34.0	8.9	21.5	87.0	287.0	2.5
700QELCO0300	3 x 164.4	30.0	39.4	26.7	37.1	24.8	35.8	22.4	34.0	8.9	21.5	36.0	47.2	32.0	44.6	29.8	42.9	26.9	40.8	10.7	25.8	100.0	287.0	2.5



1.0KVAR - 5.0KVAR



10.0KVAR - 30.0KVAR