



NX302A 301A 301E

Features

- Trip starting indicator
- Detection of no connection to current transformer for extra safety
- Relay tripped indicator
- High immunity to electrical interference

Features for NX 302A only

- Safety output contact
- Earth leakage level indicators
- Remote reset and remote test functions

Technical Data

AUXILIARY SUPPLY

Model NX301A / 302A -240A : 198 ~ 265 V AC
 Model NX301A / 301E -110A : 94 ~ 127 V AC
 Rated frequency : 50 / 60 Hz
 VA rating : 3 VA typical

SETTING RANGES

Sensitivity adjustment : 0.03 A to 30 A
 Delay time adjustment : 0 sec to 3.0 sec

PERFORMANCE

Setting accuracy : -15% to +0%
 Timing accuracy : ±5%

OUTPUT CONTACTS

Contact arrangement : 1 x manual reset type
 : 1 x safety contact*
 : NC and NO contacts available
 Rated voltage : 250 V AC
 Contact rating : 5 A
 Expected electrical life : 100,000 operations at rated current
 Expected mechanical life : 5 x 10⁶ operations

INPUTS

Remote Test* / Reset Inputs*: N.O. dry contact

INDICATORS

Auxiliary supply : Green indicator
 Time delay : Red indicator
 Trip : Red indicator
 Real-time leakage current : Red indicator

ZERO-PHASE CURRENT TRANSFORMER

To operate with Mikro's ZCT series of current transformer

ENVIRONMENTAL CONDITIONS

Temperature : -10°C to 55°C
 Humidity : 5% to 95%, non-condensing

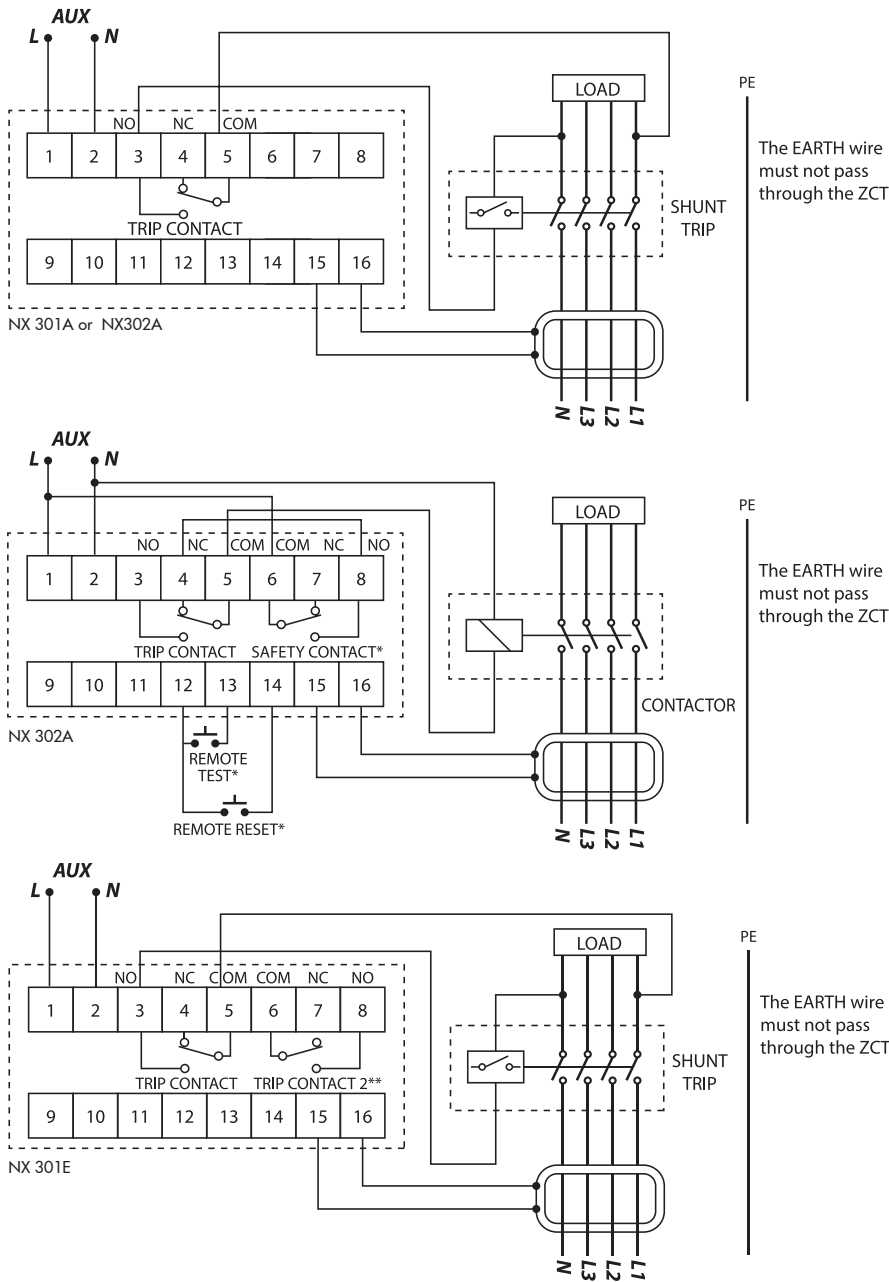
MECHANICAL

Mounting : Panel mounting
 Dimension (mm) : 96(w) x 96(h) x 90(d)
 Approximate weight : 0.4 kg (excluding ZCT)

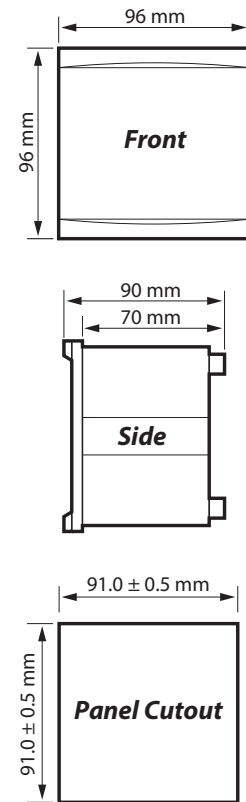
* Applicable to NX302A series only

** Applicable to NX301E series only

Typical Application Diagram



Case Dimensions



Ordering Information

MODEL	DESCRIPTION
NX301A - 240A	For 50 Hz system, auxiliary voltage 198 ~ 265 V AC
NX301A - 110A	For 50 Hz system, auxiliary voltage 94 ~ 127 V AC
NX302A - 240A	For 50 Hz system, auxiliary voltage 198 ~ 265 V AC
NX302A -110A	For 50 Hz system, auxiliary voltage 94 ~ 127 V AC
NX301E - 240A	For 50 Hz system, auxiliary voltage 198 ~ 265 V AC
NX301E -110A	For 50 Hz system, auxiliary voltage 94 ~ 127 V AC
NX301A - 240A6	For 60 Hz system, auxiliary voltage 198 ~ 265 V AC
NX301A - 110A6	For 60 Hz system, auxiliary voltage 94 ~ 127 V AC
NX302A - 240A6	For 60 Hz system, auxiliary voltage 198 ~ 265 V AC
NX302A -110A6	For 60 Hz system, auxiliary voltage 94 ~ 127 V AC
NX301E - 240A6	For 60 Hz system, auxiliary voltage 198 ~ 265 V AC
NX301E -110A6	For 60 Hz system, auxiliary voltage 94 ~ 127 V AC